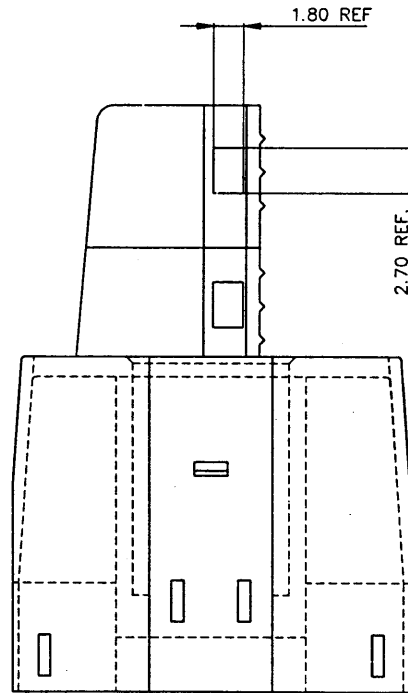
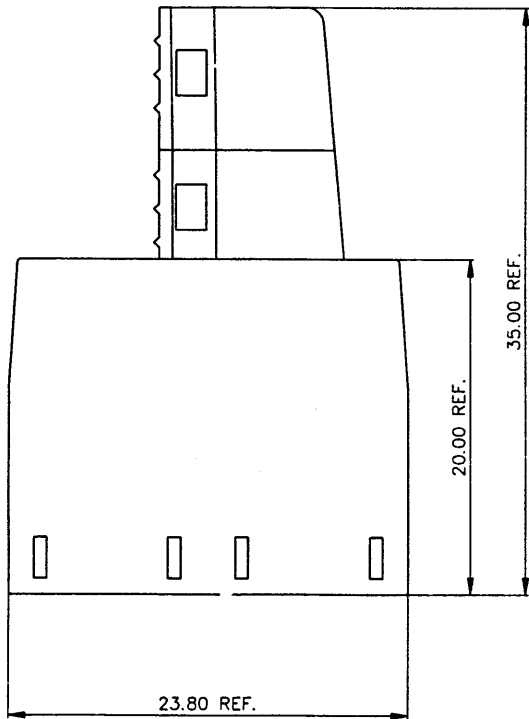
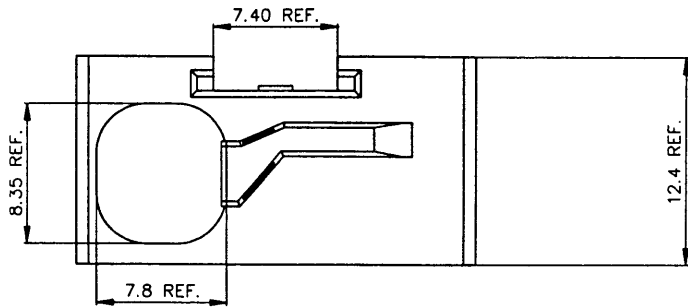


PRODUCT NUMBER 70283-001



NOTES:

- MATERIAL: THERMOPLASTIC POLYESTER 30% GLASS FILLED.
COLOR: BLACK.
FLAME RETARDANT ACCORDING UL-94-V0.
- CABLE CONNECTOR COVER TO BE USED WITH TERMINAL BLOCK 70288-X0Y.

| | | | | | | | | | |
|------------|----------|------------|--------|---------------------------------------|---------------|-------------------|-----|----------------------------|-------------|
| mail. code | | SEE NOTE 1 | | tolerances unless otherwise specified | | CUSTOMER COPY | | BERG ELECTRONICS | |
| lfr | ecn no | of | date | linear | projection | title | | COVER | |
| A | H90044 | AVZ | 900130 | | | CABLE CONN. 24MM. | | | |
| B | H00801 | AVZ | 910204 | | | | | | |
| C | H40073 | HBO | 940201 | angles | | | | | |
| | | | | of | A.van Zanten | 900130 | mm | product family | METRAL (lm) |
| | | | | BY | H.Bouwknegt | 940201 | ← | size | chg no |
| | | | | BY | A.van Zanten | 900130 | → | scale | code |
| | | | | BY | H.van Woensel | 900130 | 5:1 | A2 | 70283 |
| sheet | revision | C | | | | | | sheet | |
| index | sheet | 1 | | | | | | 1 of 1 | |